

Money Task Cards for Level 1 Challenge Cards



Money Task Cards for Level 1 - Going to the Circus

Question 1

You paid



to go into the big top tent.

How much did you pay?



twinkl.co.uk

Money Task Cards for Level 1 - Going to the Circus

Question 2

The clown at the circus is making balloon animals for all the children. If he makes 12 of them and sells them each for \$1, how much will he make?



twinkl.co.uk

Money Task Cards for Level 1 - Going to the Circus

Question 3

Benjamin wants to go to see the lions at the circus, which costs \$4. He shows his mum all his money. Does he have enough to go in? How do you know? Show your thinking.



twinkl.co.uk

Entry to the circus costs \$2 for each child, and \$3 per adult.

If Hamish, his mum, dad and little brother all went, how much would it cost?



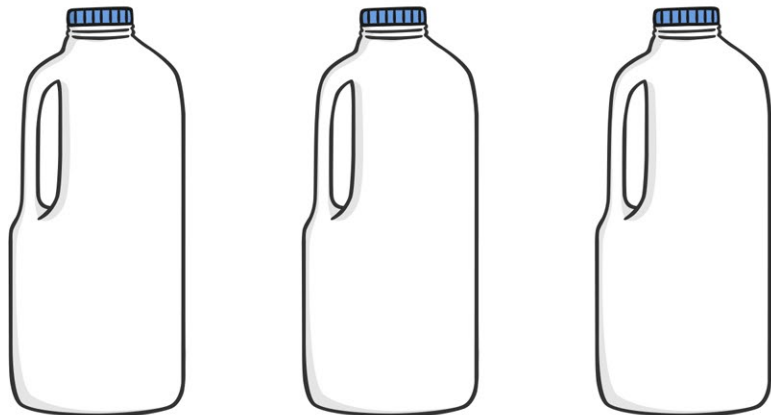
What coins could you use to pay for an ice cream that costs \$1.50?



Extra for Experts:

How many different ways can you make \$1.50?

If milk costs \$2 per bottle, how much will 3 bottles cost?



Which coins could you use to pay for a muffin that costs \$1?



Extra for Experts:

How many different ways can you make \$1.00?

If milk costs \$2 per bottle, how many could you buy for \$10?



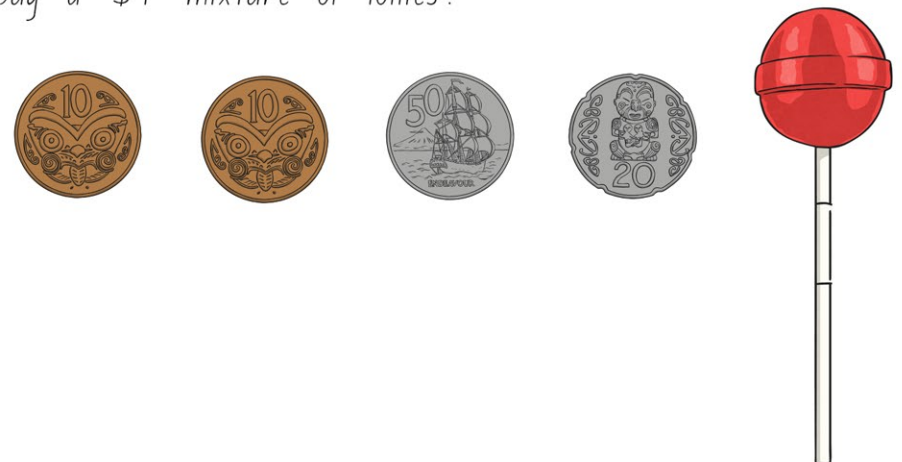
Mere had to buy birthday presents for the 4 people in her family. She walked into the shop with \$20 to spend. Which items could she buy for her \$20?



Wiremu buys a chocolate bar for \$1.50 and a bottle of water for \$2. How much has he spent?



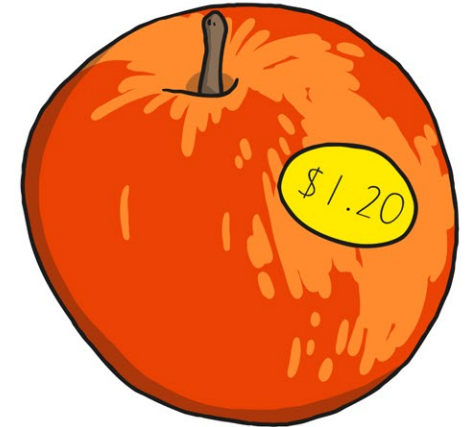
Tim has 10c, 20c, 50c, 10c. Does he have enough to buy a \$1 mixture of lollies?



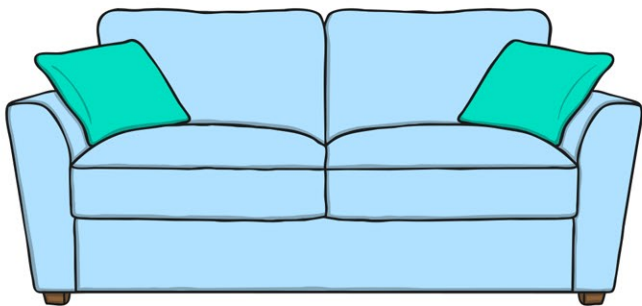
You have 7 10c coins, 5 20c coins and 2 \$2 coins. Do you have enough to buy a set of colouring pencils worth \$7?



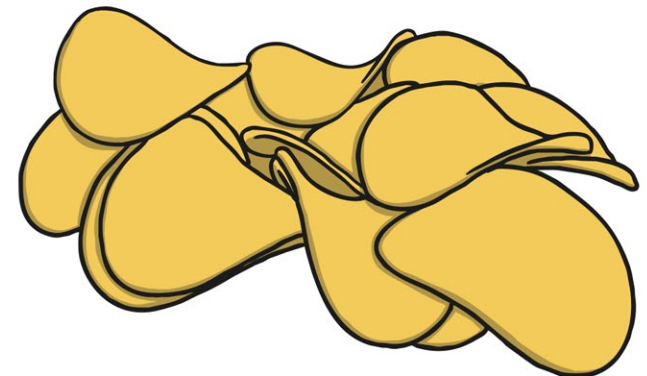
Dylan had \$2.20 in his wallet. If he buys an apple for \$1.20, how much would he have left?



Ollie had \$1.50, but he lost 30c down the back of the couch. How much money has Ollie now got, after losing 30c?



Sara had \$1, but she spent 70c on chips. How much money has Sara got left?

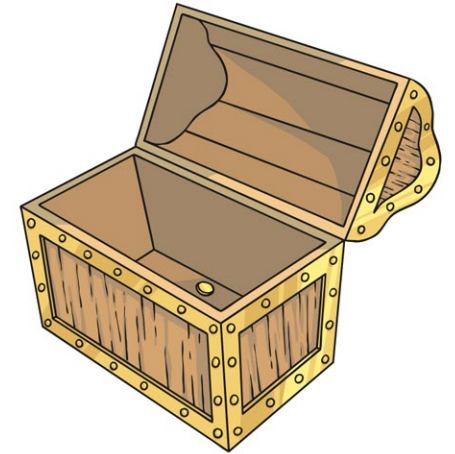


Katelyn had \$4.50 in her purse. She gave William \$1.50. How much has she got left?



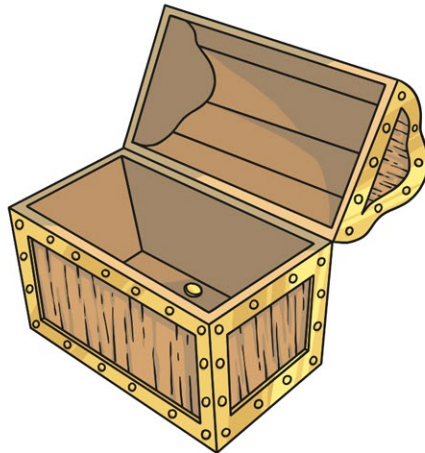
In the pirate chest, there is \$3.40. What coins could be in the pirate chest to make the \$3.40?

Show your working:



In the pirate chest, there is \$12.50. What coins and notes could be in the pirate chest to make the \$12.50?

Show your working:



Extra for Experts

In Mum's wallet, there is an orange coloured note, and 5 coins. What is the orange coloured note?

How much money could Mum have in her wallet?

Show your working:



1. \$3.50
2. \$12
3. Yes - Benjamin has exactly \$4.
4. \$10
5. Accept any correct answer e.g. \$1 + 50c
6. \$6
7. Accept any correct answer e.g. \$1 or 50c + 50c
8. 5
9. Mere could buy: 4 donuts/1 pair of shoes and 3 donuts/1 pair of shoes, flowers and 2 donuts/1 cake and 3 donuts/flowers and 3 donuts.
10. \$3.50
11. No. He has 90c so he would need another 10c.
12. No. I would only have \$5.70.
13. \$1
14. \$1.20
15. 30c
16. \$3
17. Accept any correct answer that shows \$3.40 in coins.
18. Accept any correct answer that shows \$12.50 in coins and notes.
19. The orange note is \$5. Accept any correct answer for how much money Mum has e.g. $\$5 + 50c = \5.50